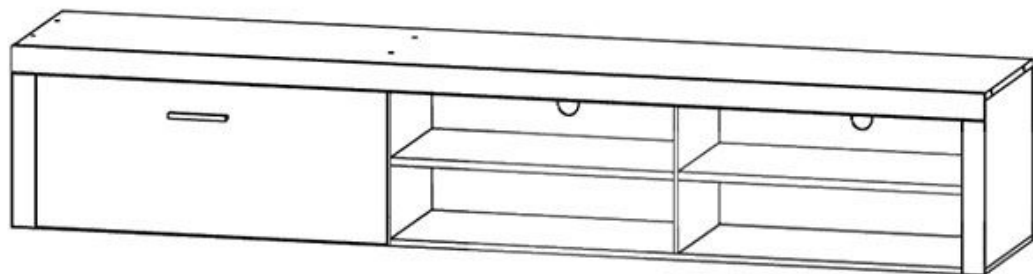


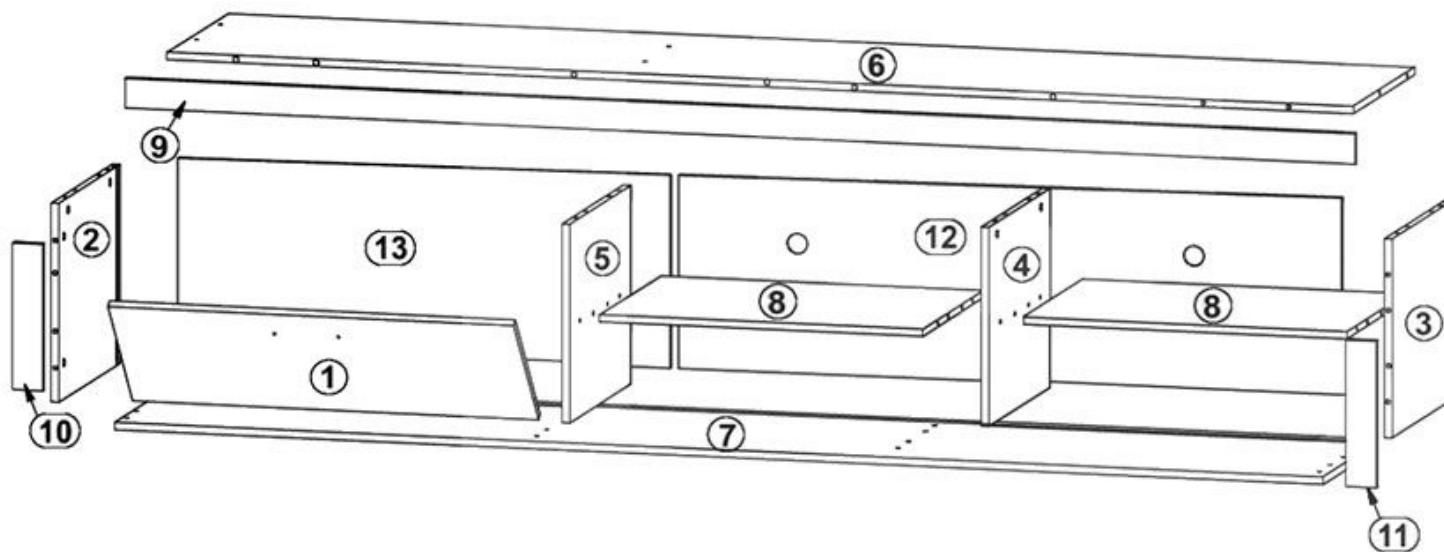
180 min



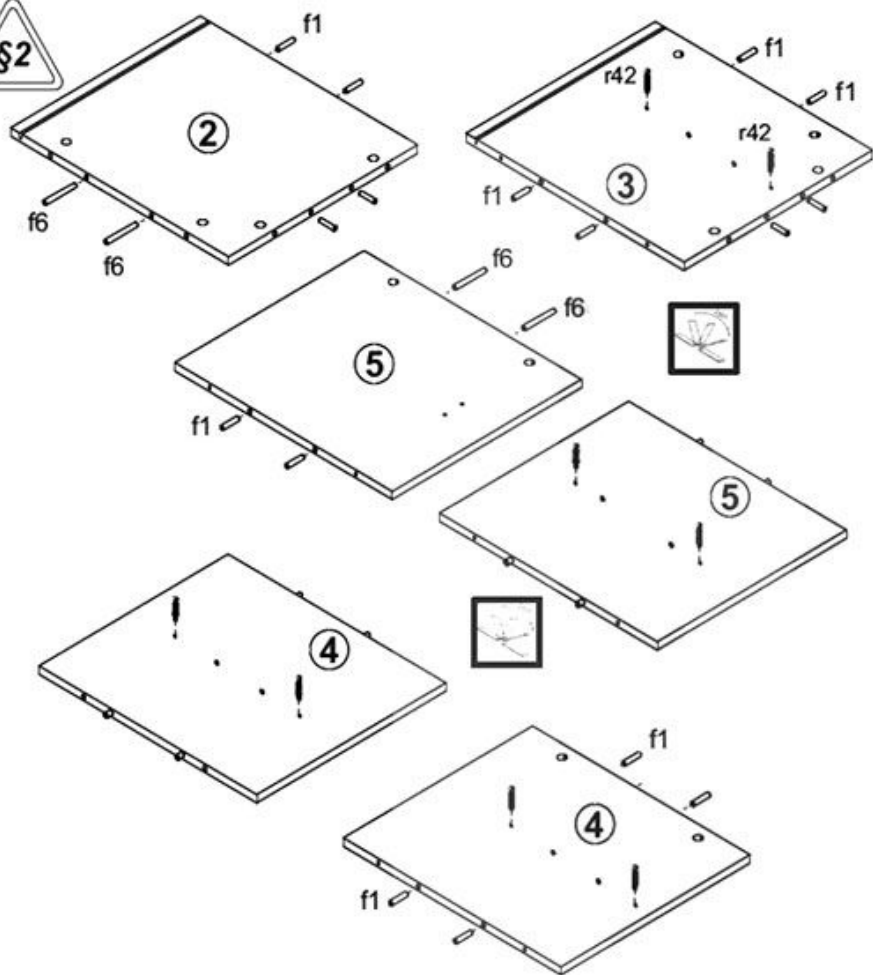
12x a44	12x b19	6x c235 L: 96/128 mm	24x d1 e: 5x17 mm	24x e1 e: 7x50 mm	2x e5 e: 16,3x13 mm	90x f1 f: 8x30 mm	10x f6 f: 8x30 mm	4x f25 e: 6,5x40 mm	66x l2	1x m3 L: 236	14x n108 20x13x1,5 mm	2x o1
3x p1 e: 6,5x13 mm	10x p9 e: 4x30 mm	12x p38 e: 6,5x16 mm	24x p51 e: 13,5x15 mm	14x p55 e: 12,9x16 mm	2x p59 e: 14x12 mm	75x r1 e: 11,5x12 mm #16	75x r42 e: 20 x1	6x e3 e: x13 mm	4x e19 e: 4,5x9 mm	10x k55	20x p6 e: 4x13 mm	10x o21 e: 4x1,8 mm
7x s1 e: 16	15x s2	1x w37/CL e: 300 mm	1x w37/CR e: 300 mm	1x w37/DL e: 300 mm	1x w37/DR e: 300 mm	1x z1						



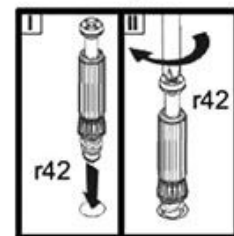
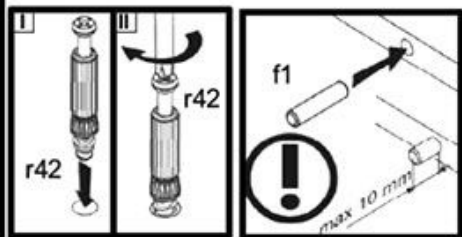
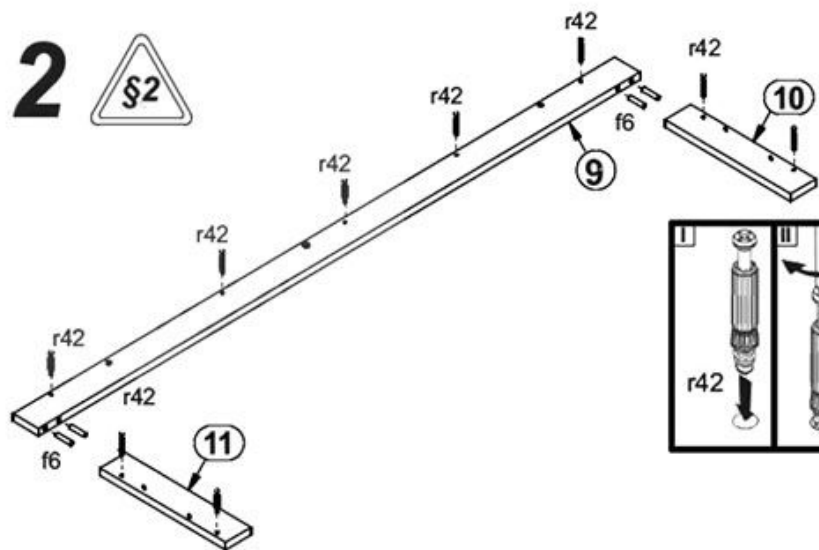
A	B	C (mm)		D
1	N64-002	689	332	1/5
2	N64-103	363	400	2/5
3	N64-104	363	400	2/5
4	N64-105	363	380	1/5
5	N64-106	363	380	1/5
6	N64-202	1950	400	1/5
7	N64-203	1950	400	1/5
8	N64-304	583	380	1/5
9	N64-504	1950	60	2/5
10	N64-505	336	60	2/5
11	N64-511	336	60	2/5
12	N64-902	373	1194	1/5
13	N41-904	373	731	2/5



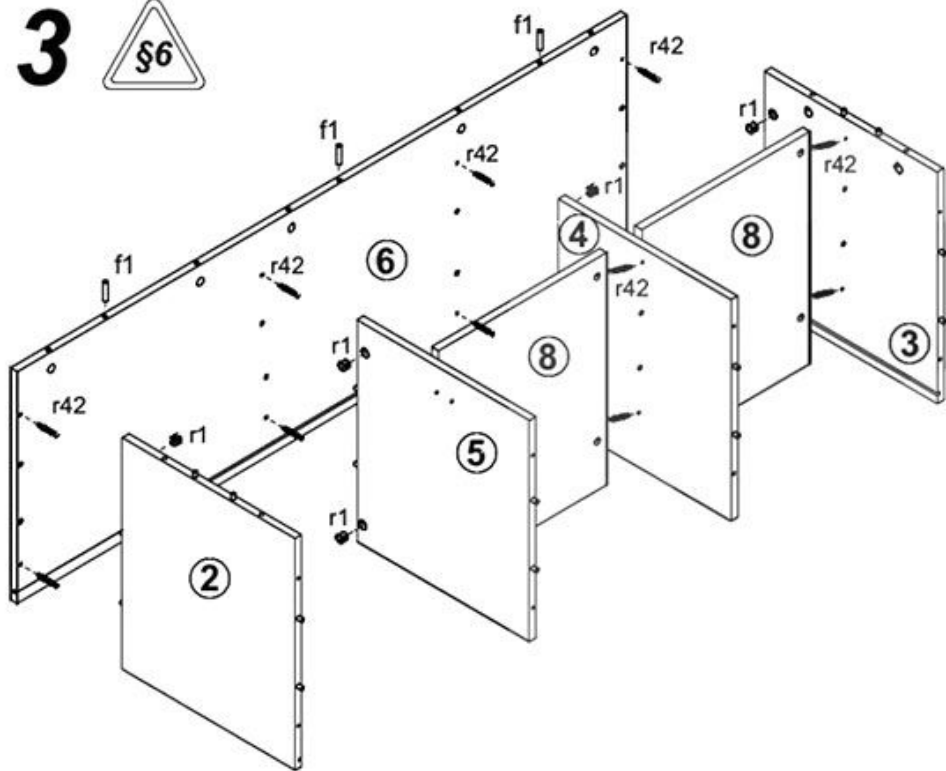
1



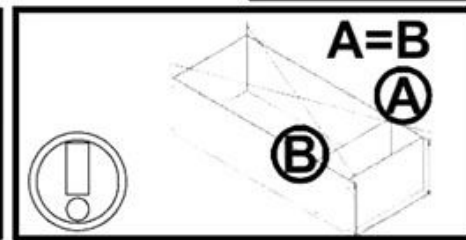
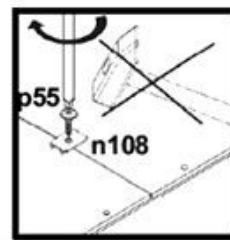
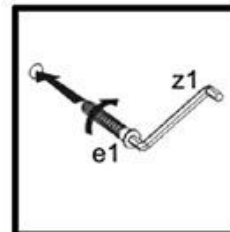
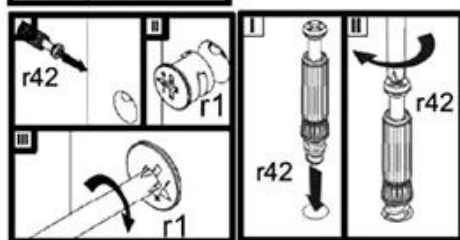
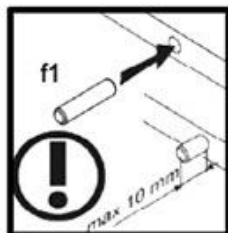
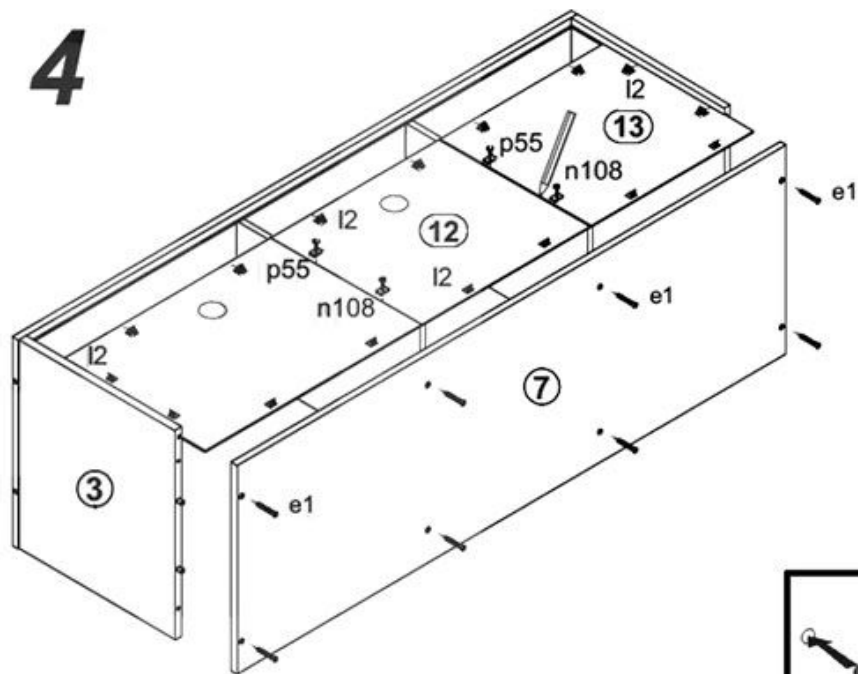
2

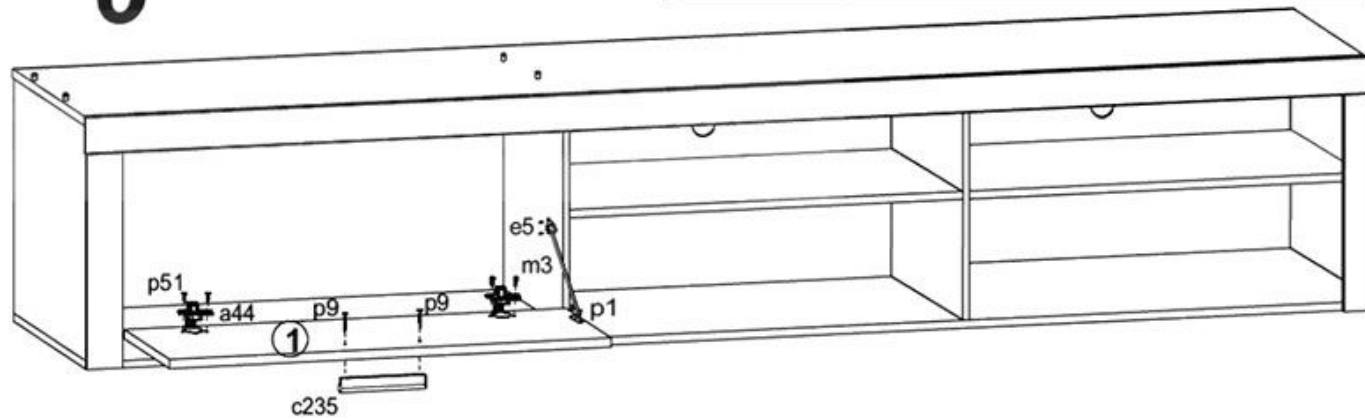
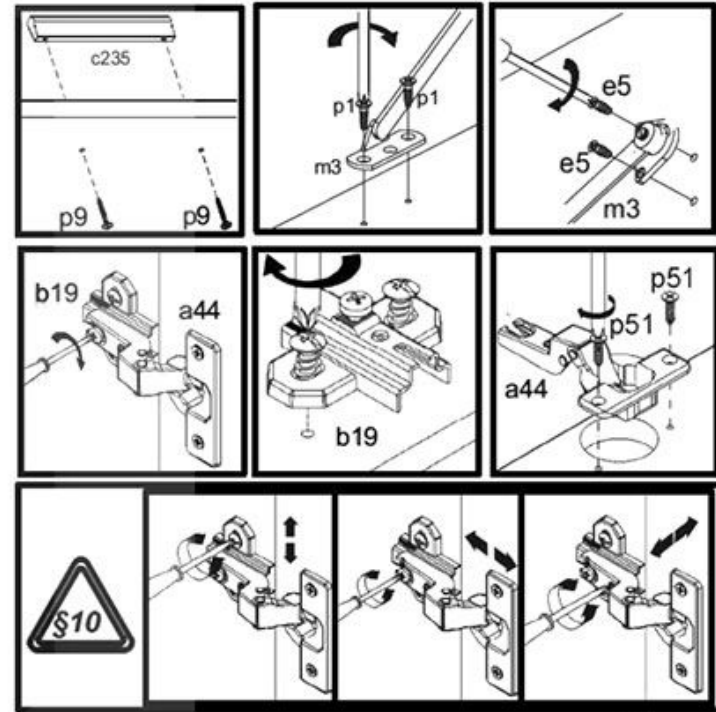
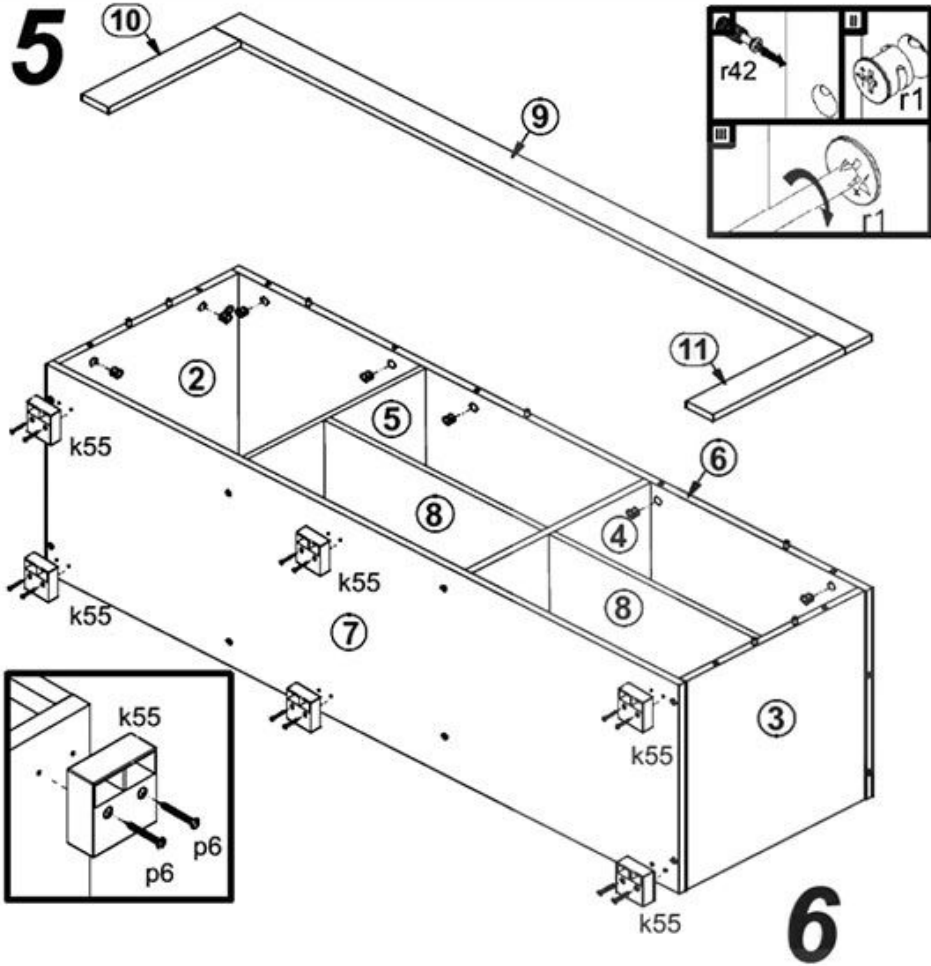


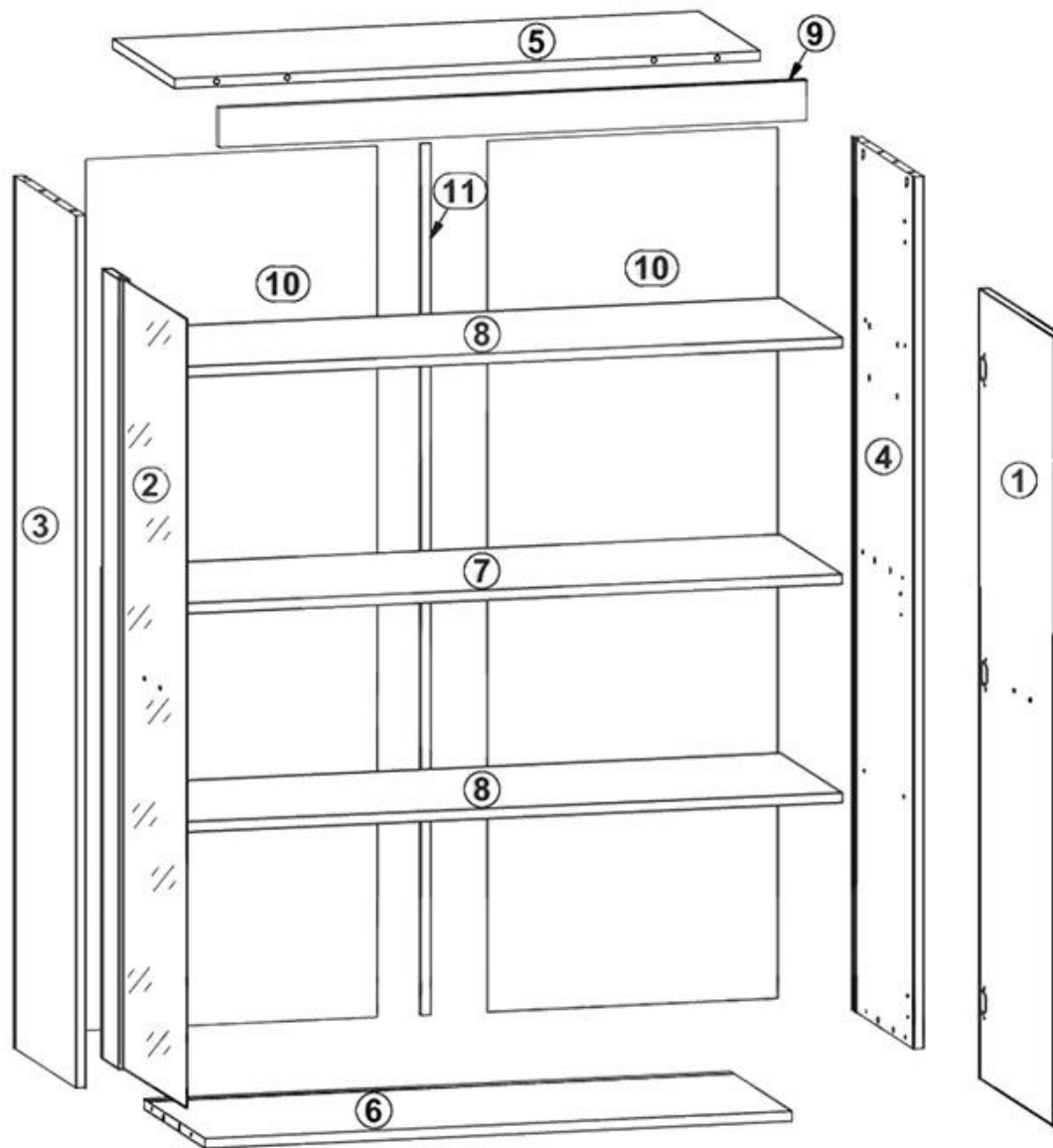
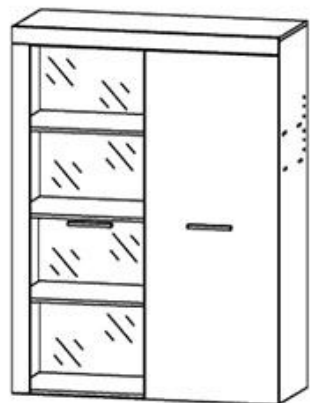
3



4



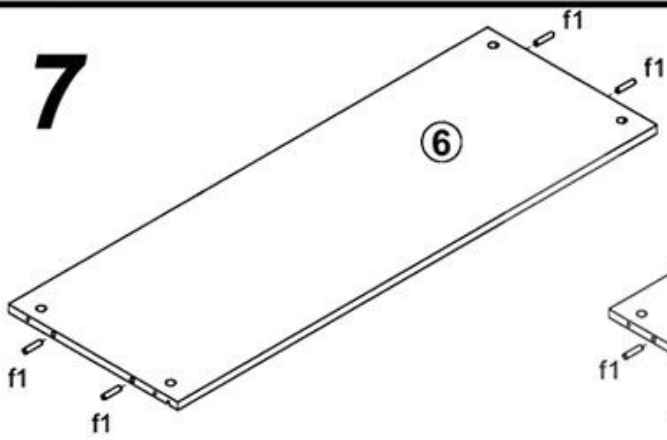




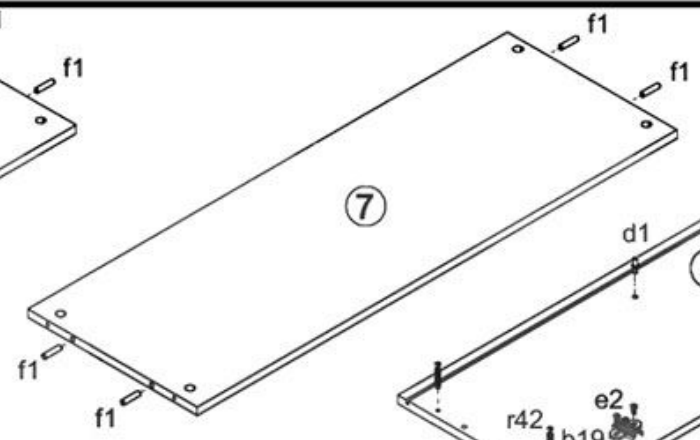
A	B	C (mm)		D
1	N64 001	1471	372	3/5
2	N64 006	1471	373	3/5
3	N64 101	1520	340	4/5
4	N64 102	1520	340	4/5
5	N64 201	752	340	5/5
6	N64 301	719	340	4/5
7	N64 302	718	320	5/5
8	N64 303	716	315	5/5
9	N64 501	752	60	5/5
10	N64 901	1514	363	3/5
11	Lh 1498	1498	14	3/5



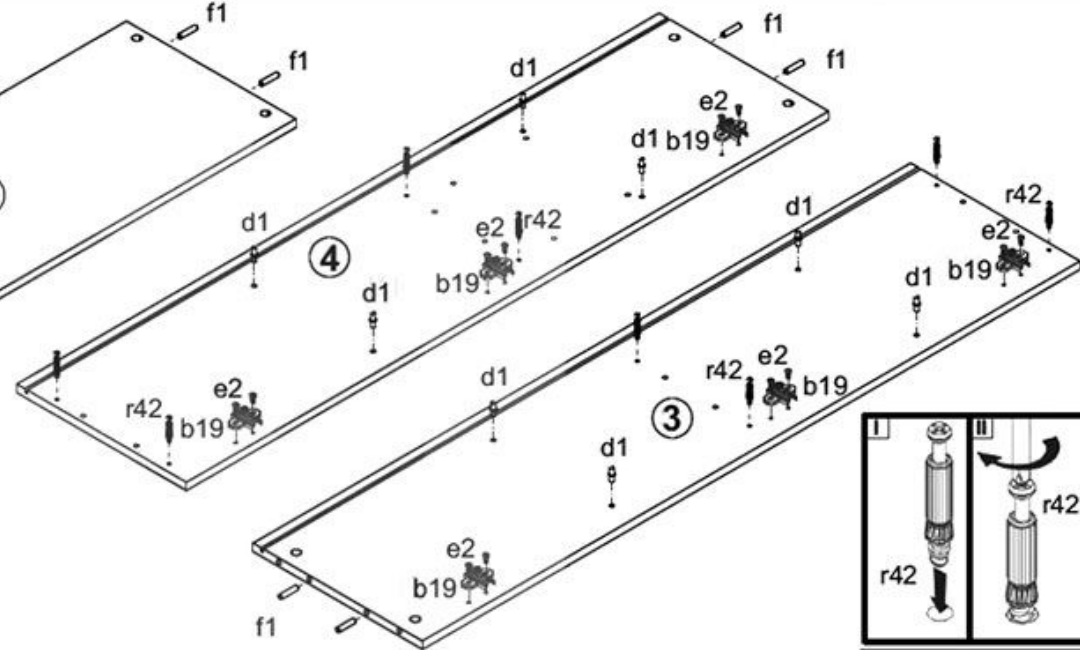
7



7

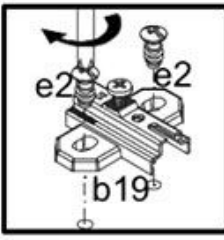
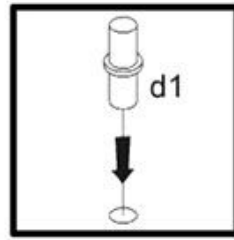
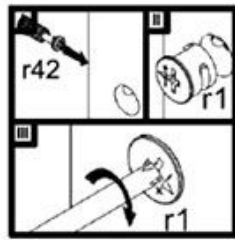
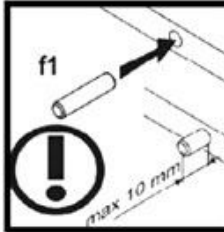
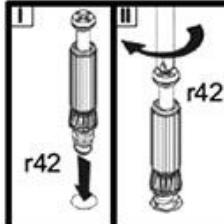
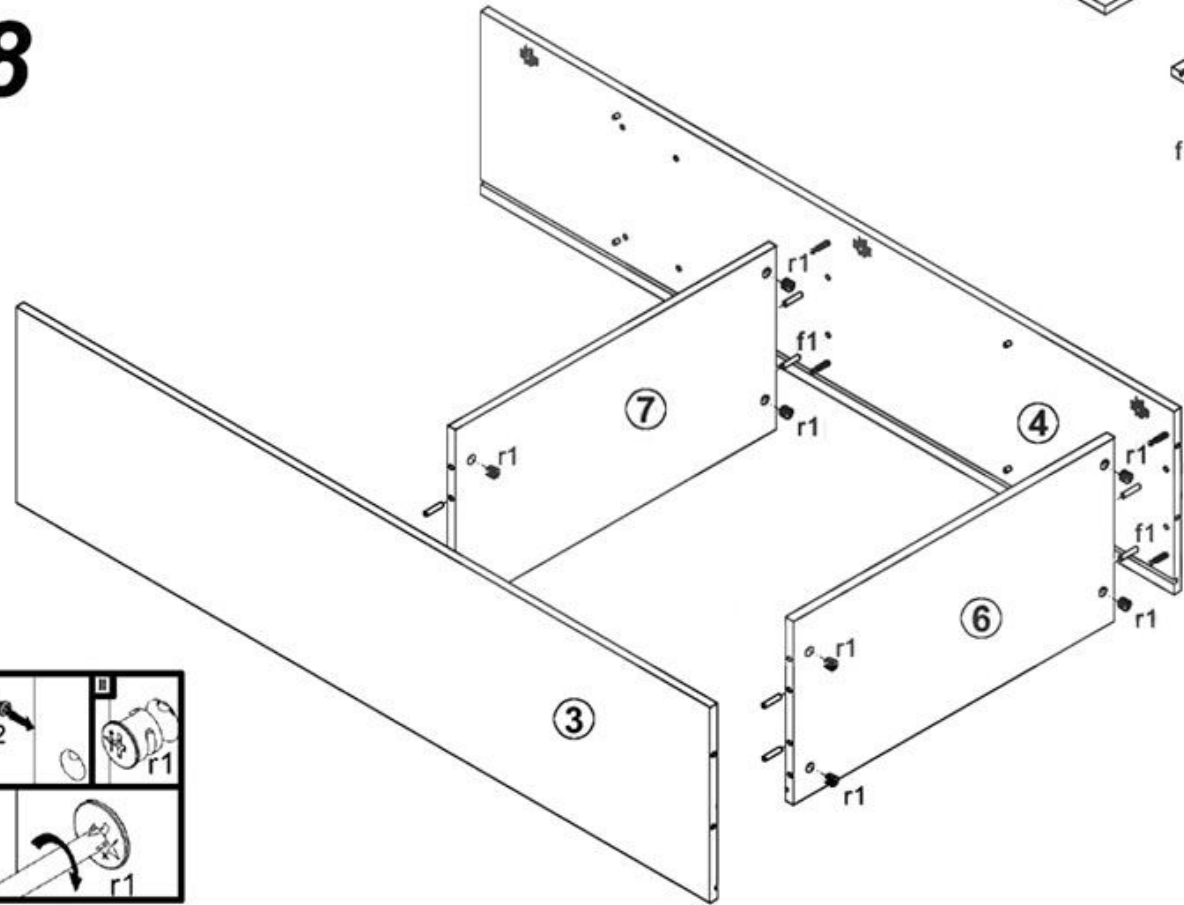


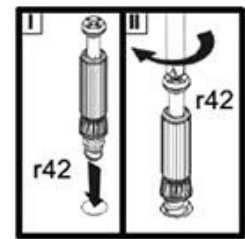
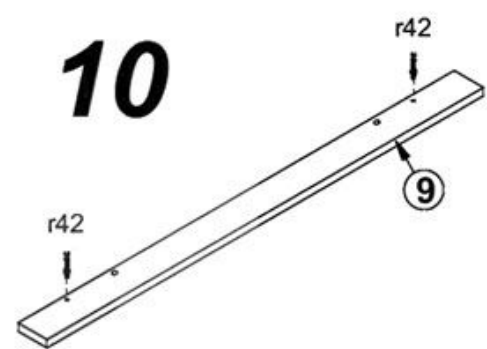
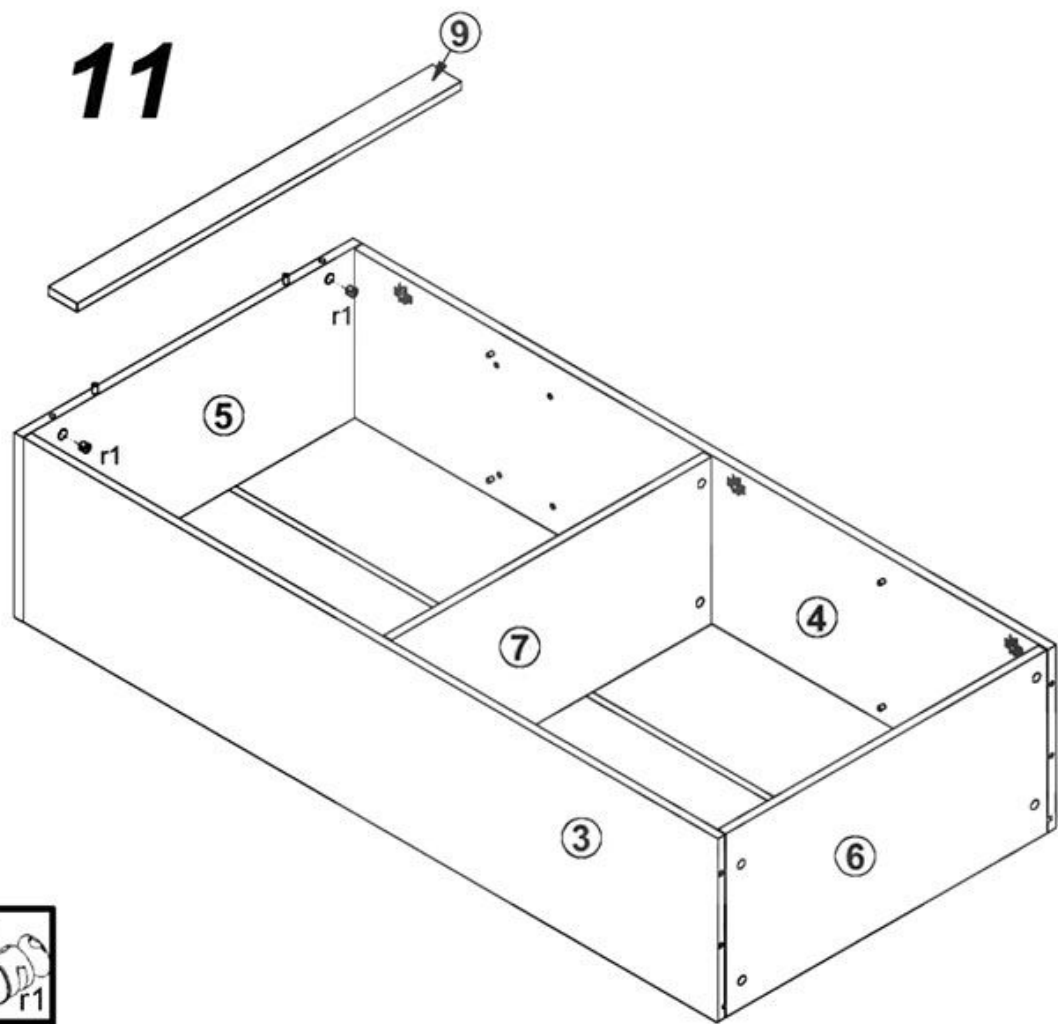
4



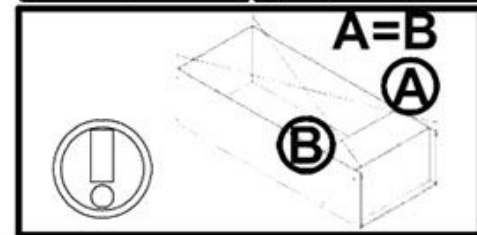
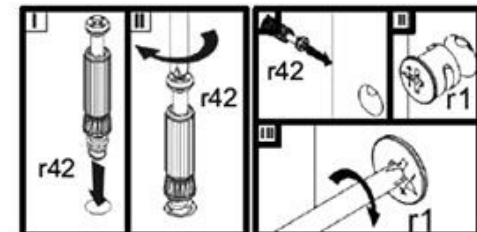
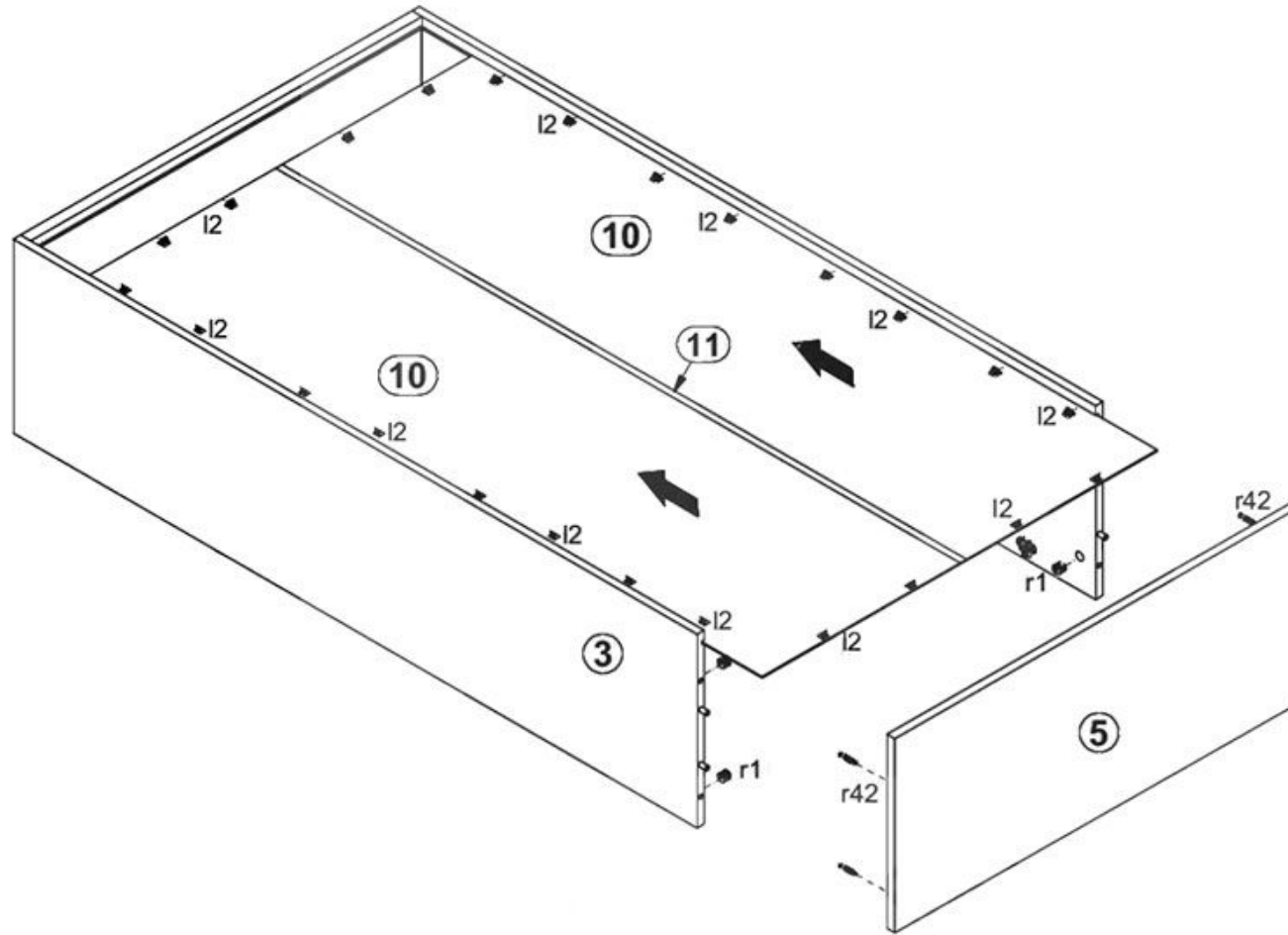
3

8

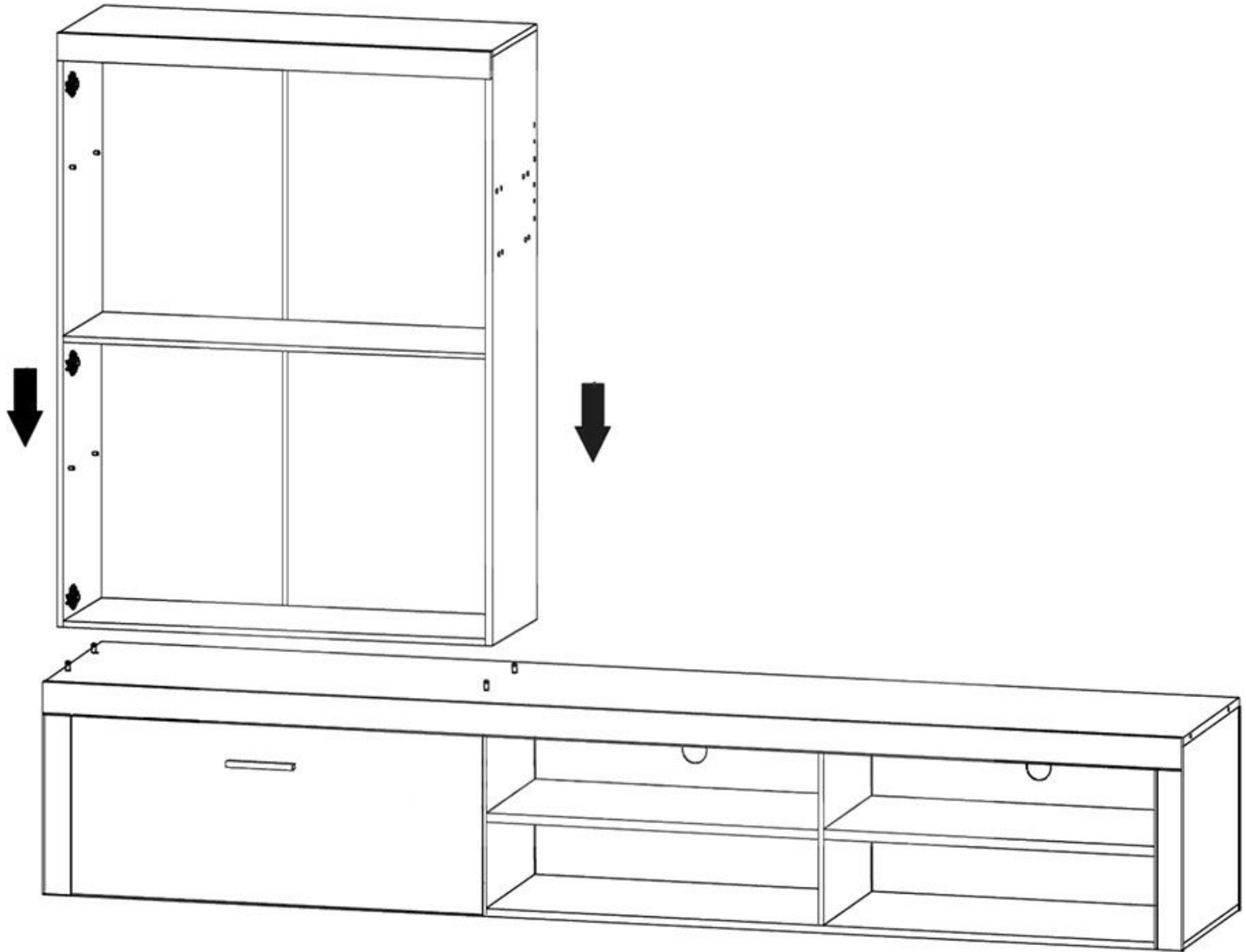


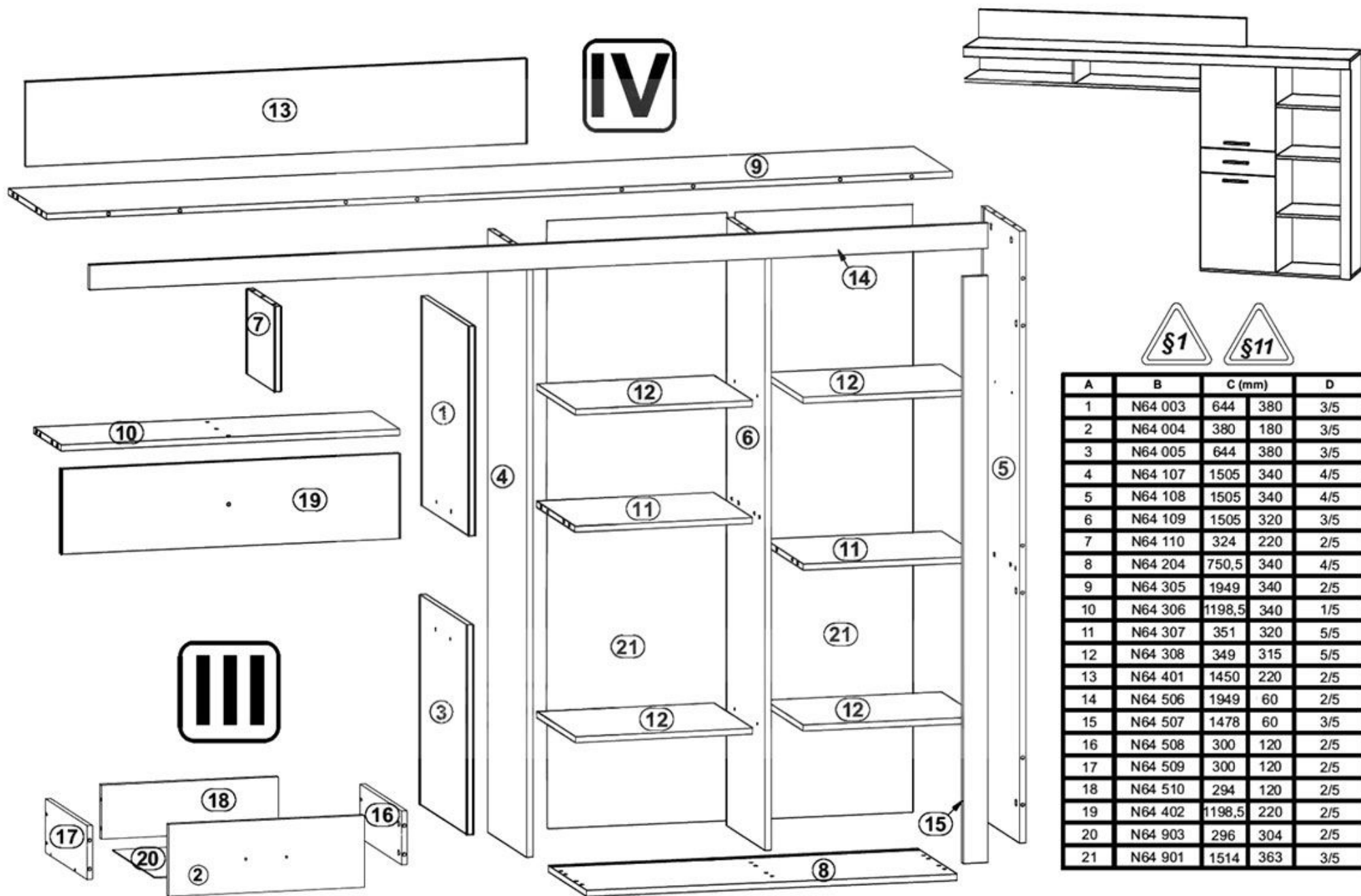


9



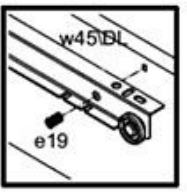
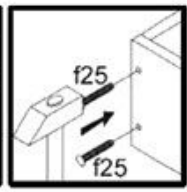
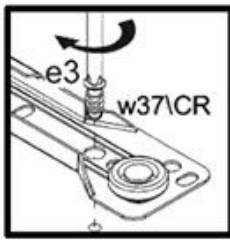
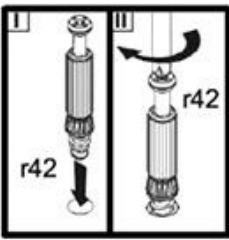
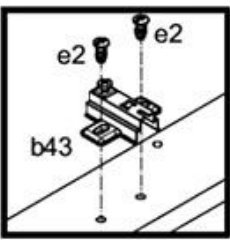
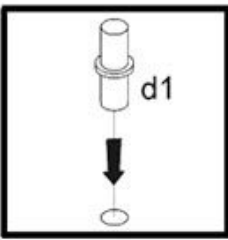
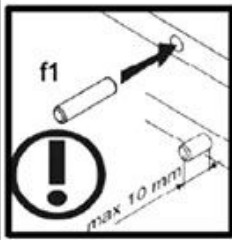
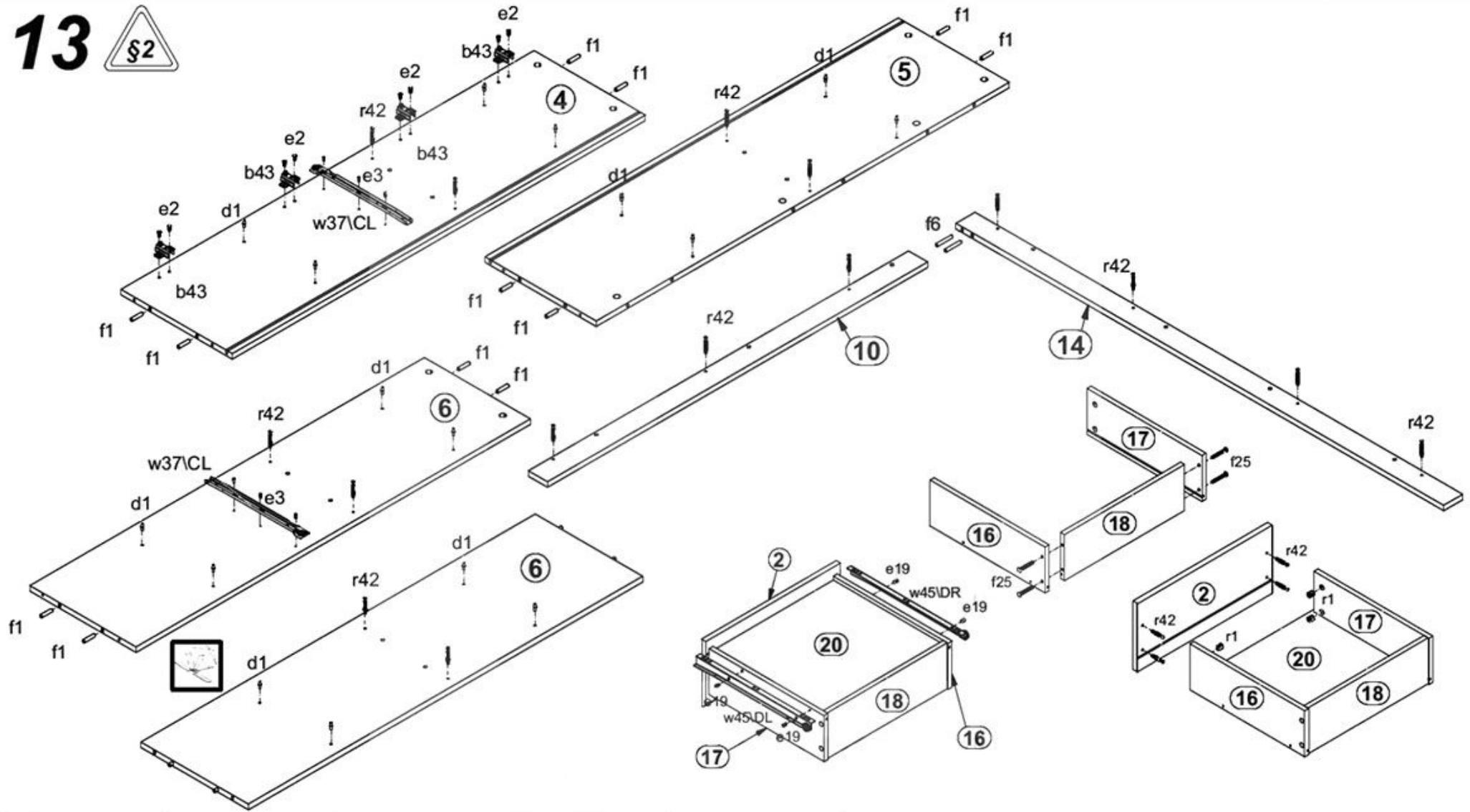
12



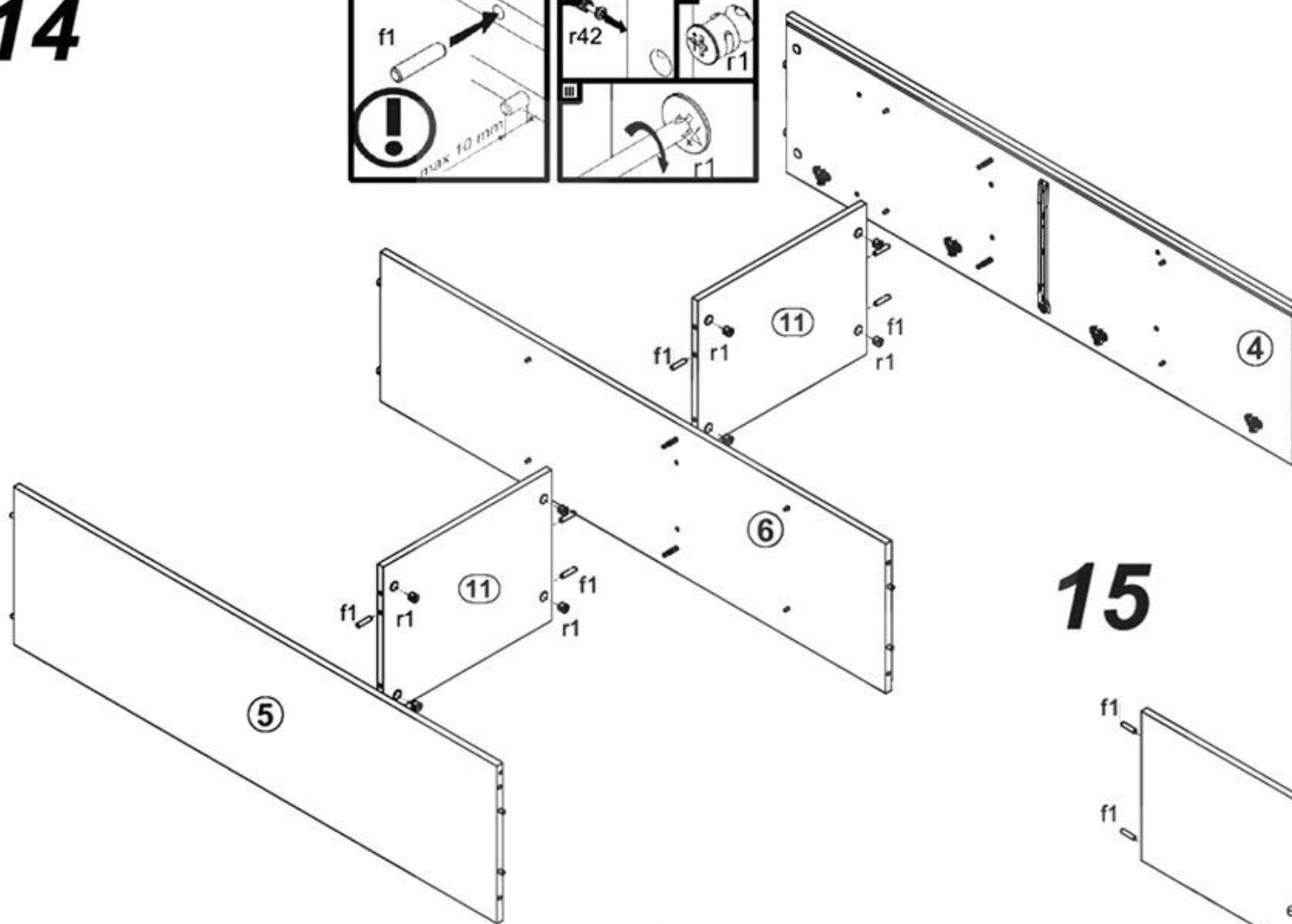
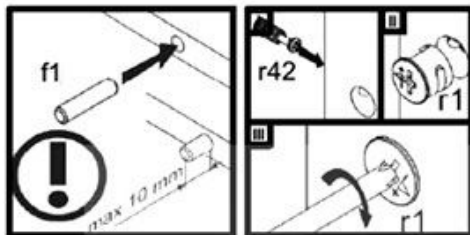


A	B	C (mm)	D	
1	N64 003	644	380	3/5
2	N64 004	380	180	3/5
3	N64 005	644	380	3/5
4	N64 107	1505	340	4/5
5	N64 108	1505	340	4/5
6	N64 109	1505	320	3/5
7	N64 110	324	220	2/5
8	N64 204	750,5	340	4/5
9	N64 305	1949	340	2/5
10	N64 306	1198,5	340	1/5
11	N64 307	351	320	5/5
12	N64 308	349	315	5/5
13	N64 401	1450	220	2/5
14	N64 506	1949	60	2/5
15	N64 507	1478	60	3/5
16	N64 508	300	120	2/5
17	N64 509	300	120	2/5
18	N64 510	294	120	2/5
19	N64 402	1198,5	220	2/5
20	N64 903	296	304	2/5
21	N64 901	1514	363	3/5

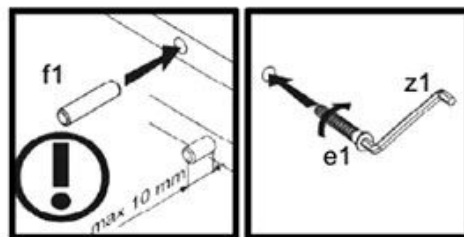
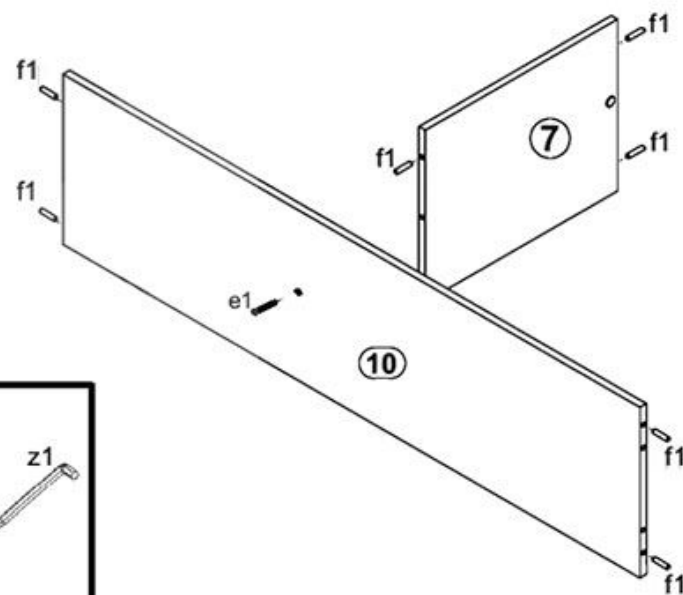
13 



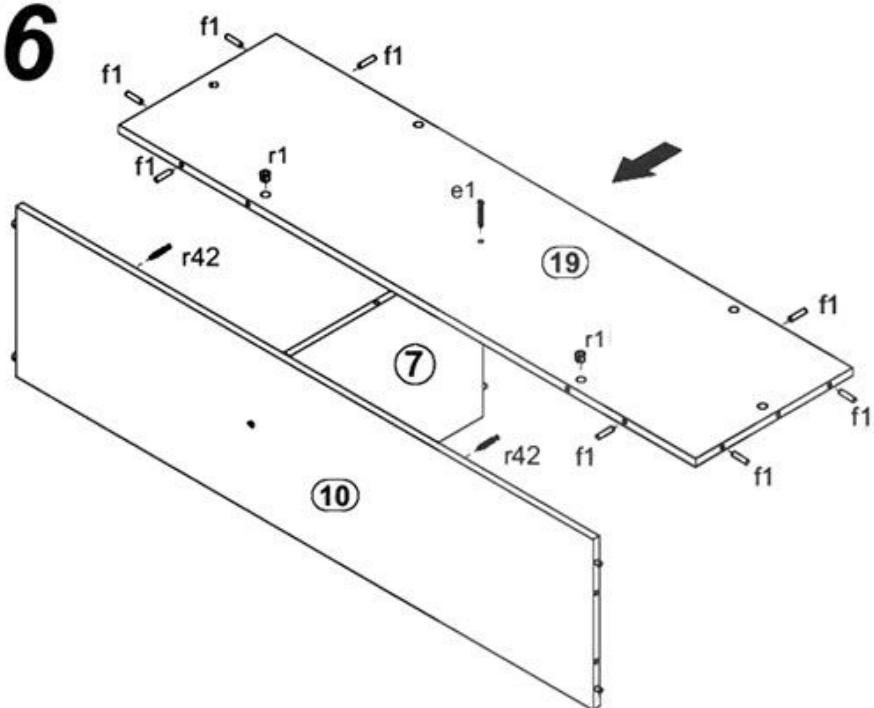
14



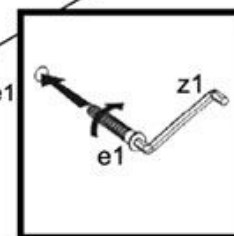
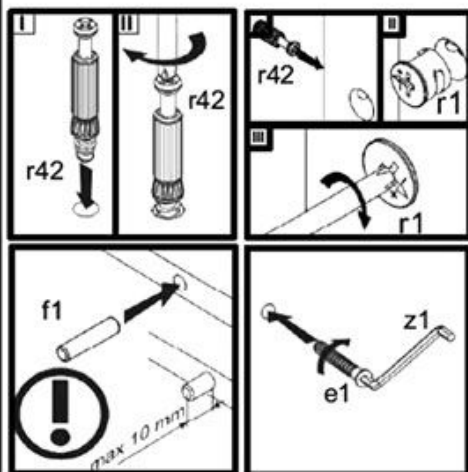
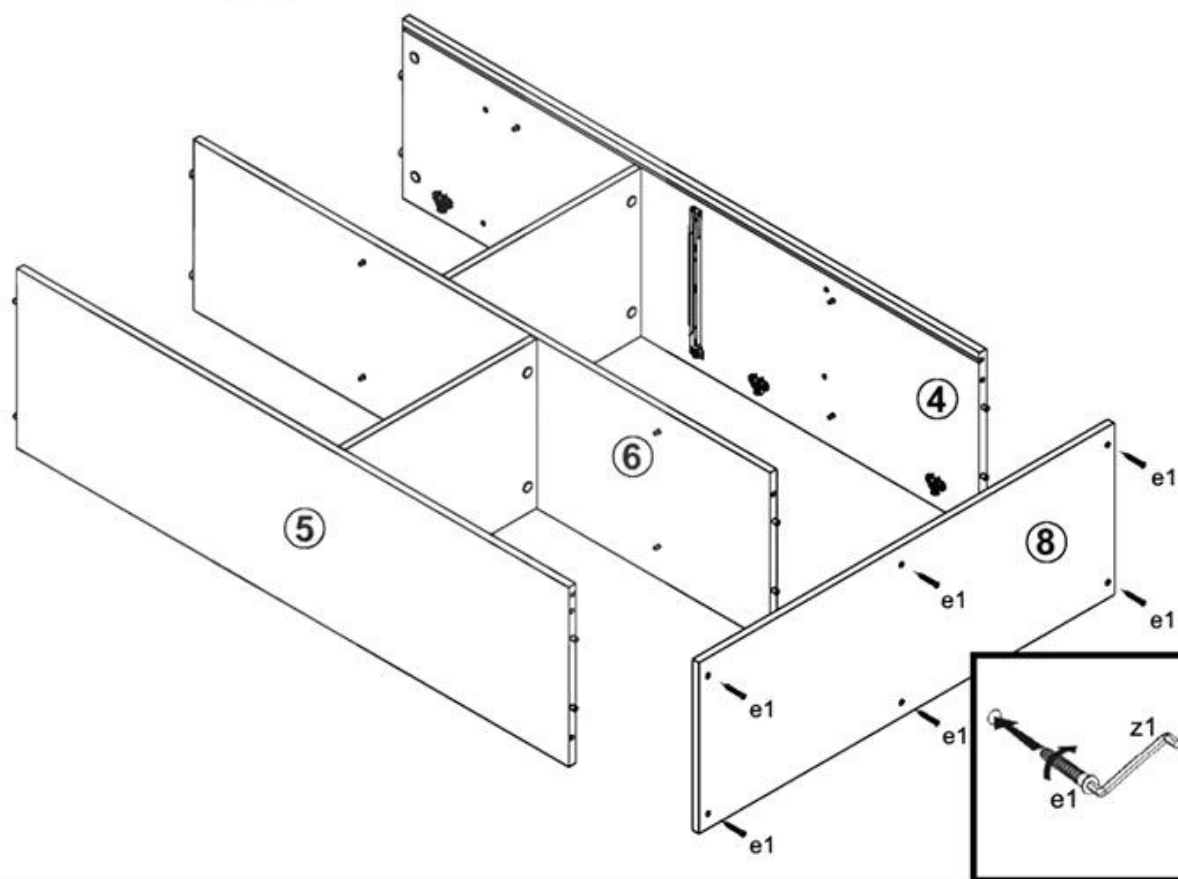
15



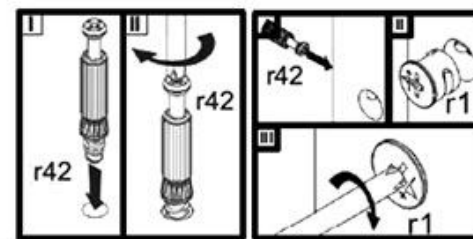
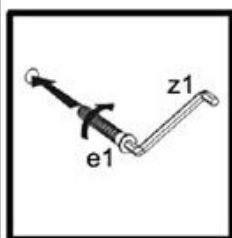
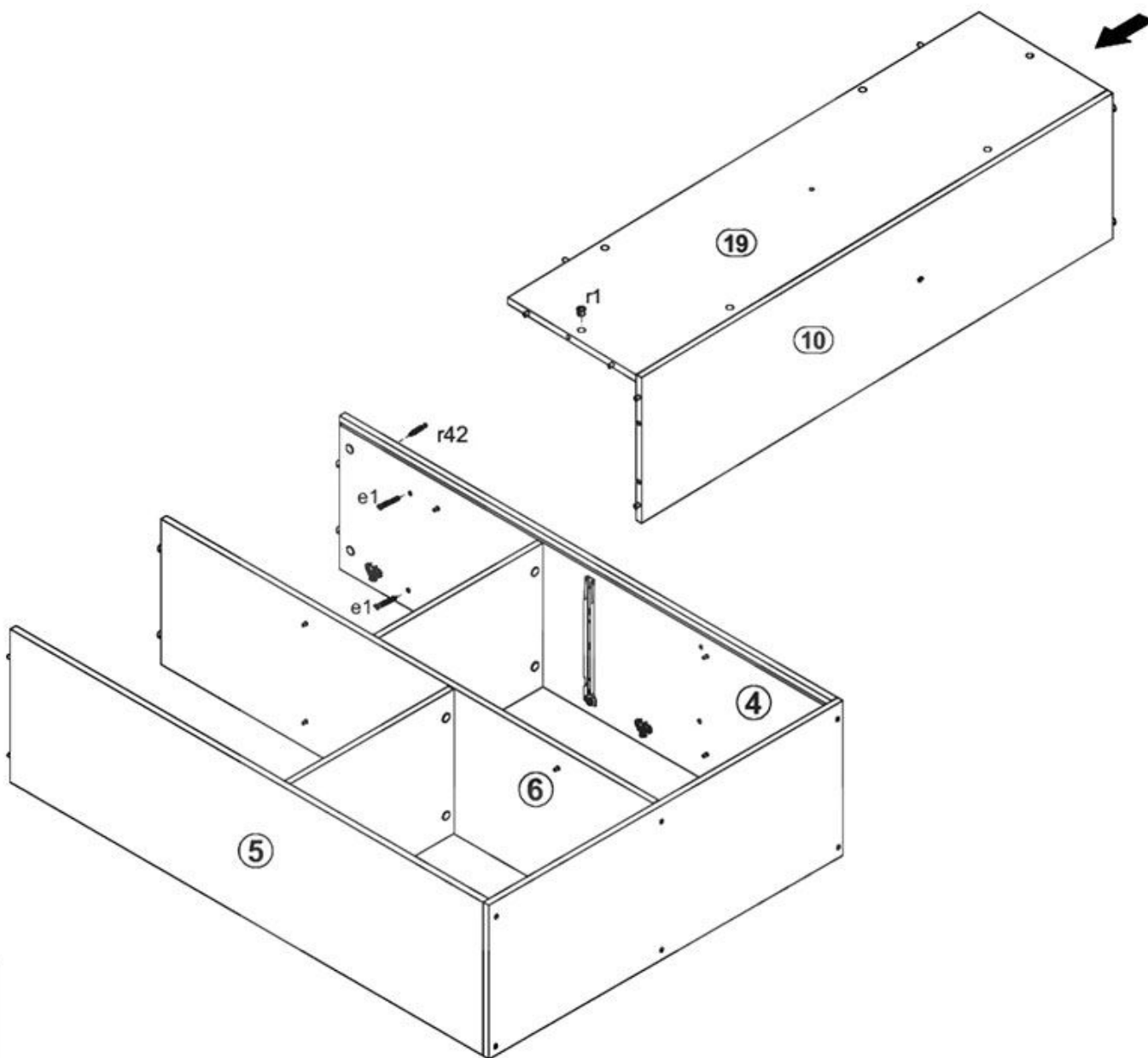
16



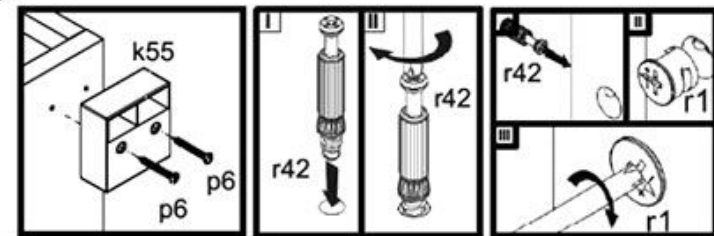
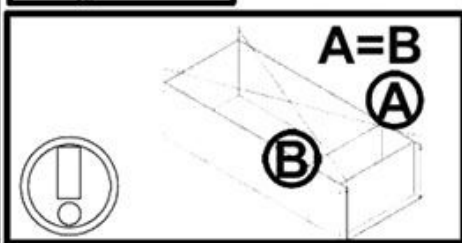
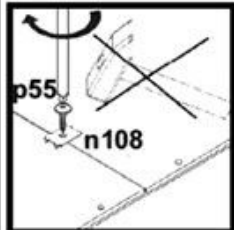
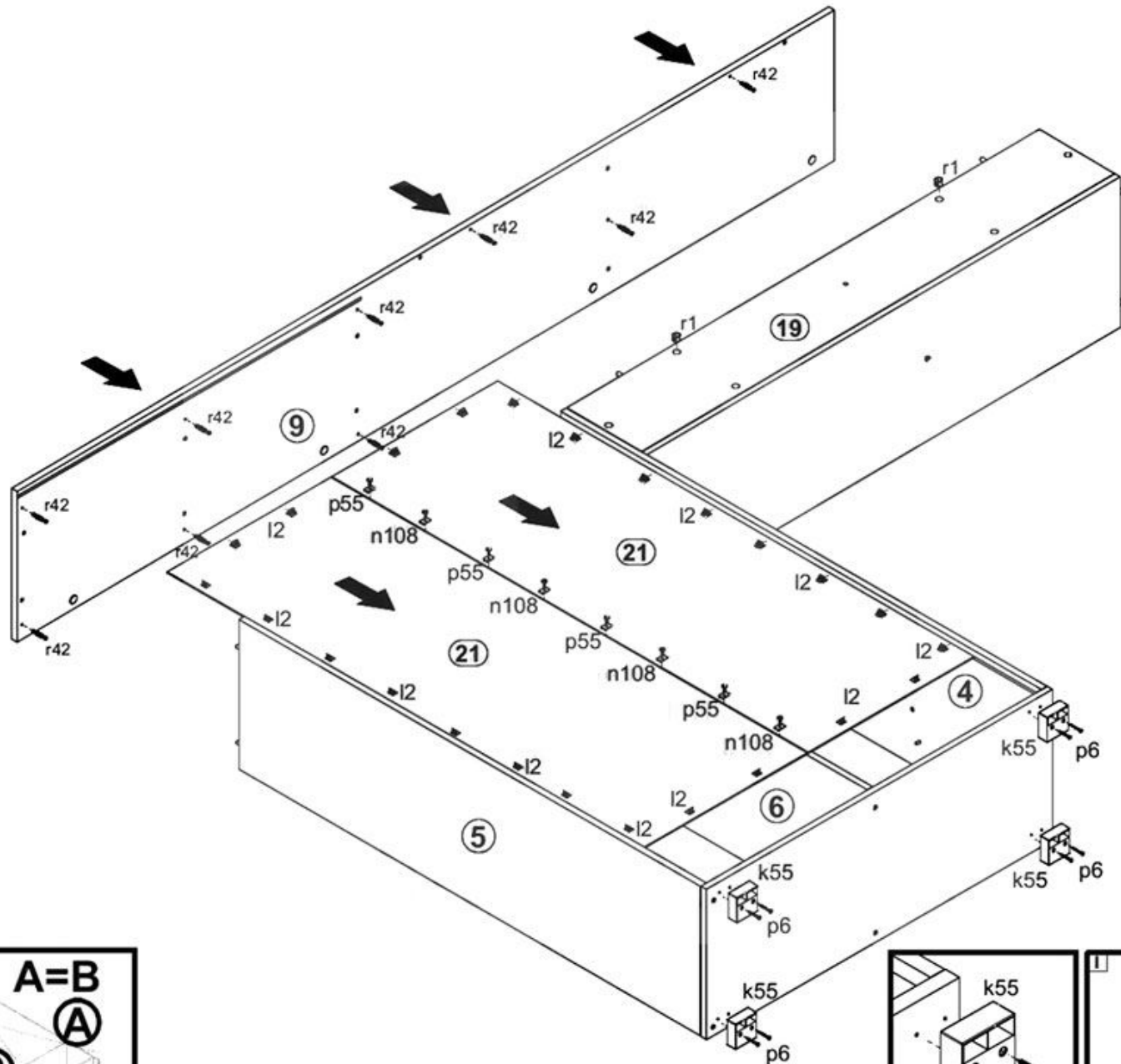
17



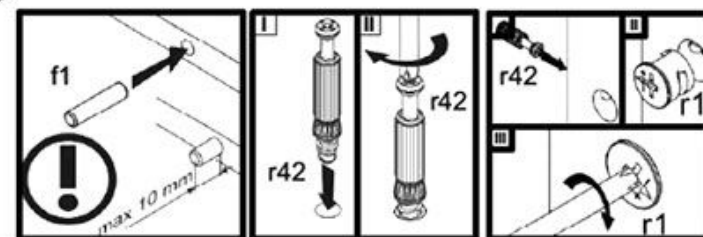
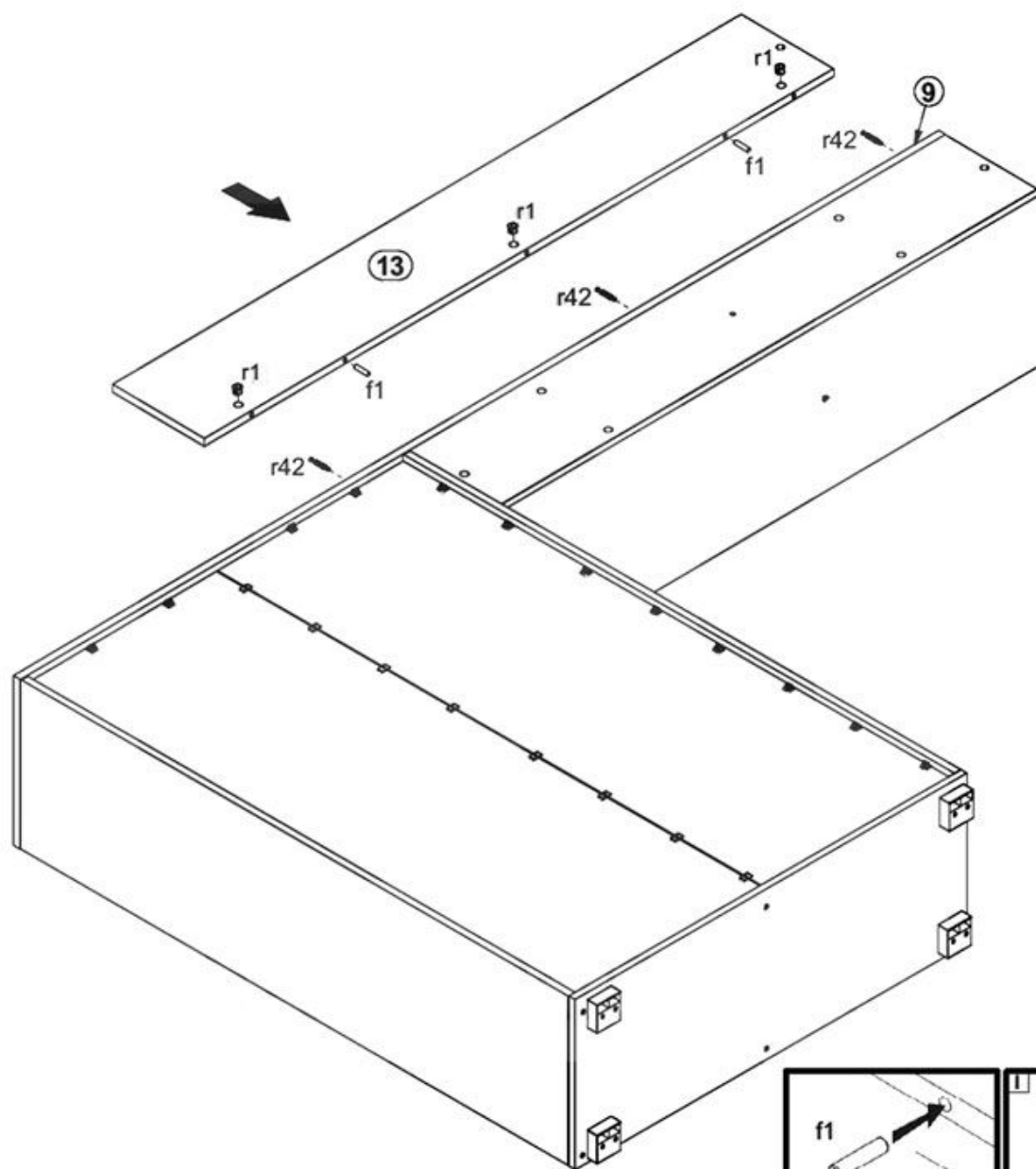
18



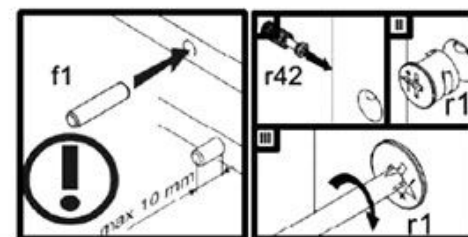
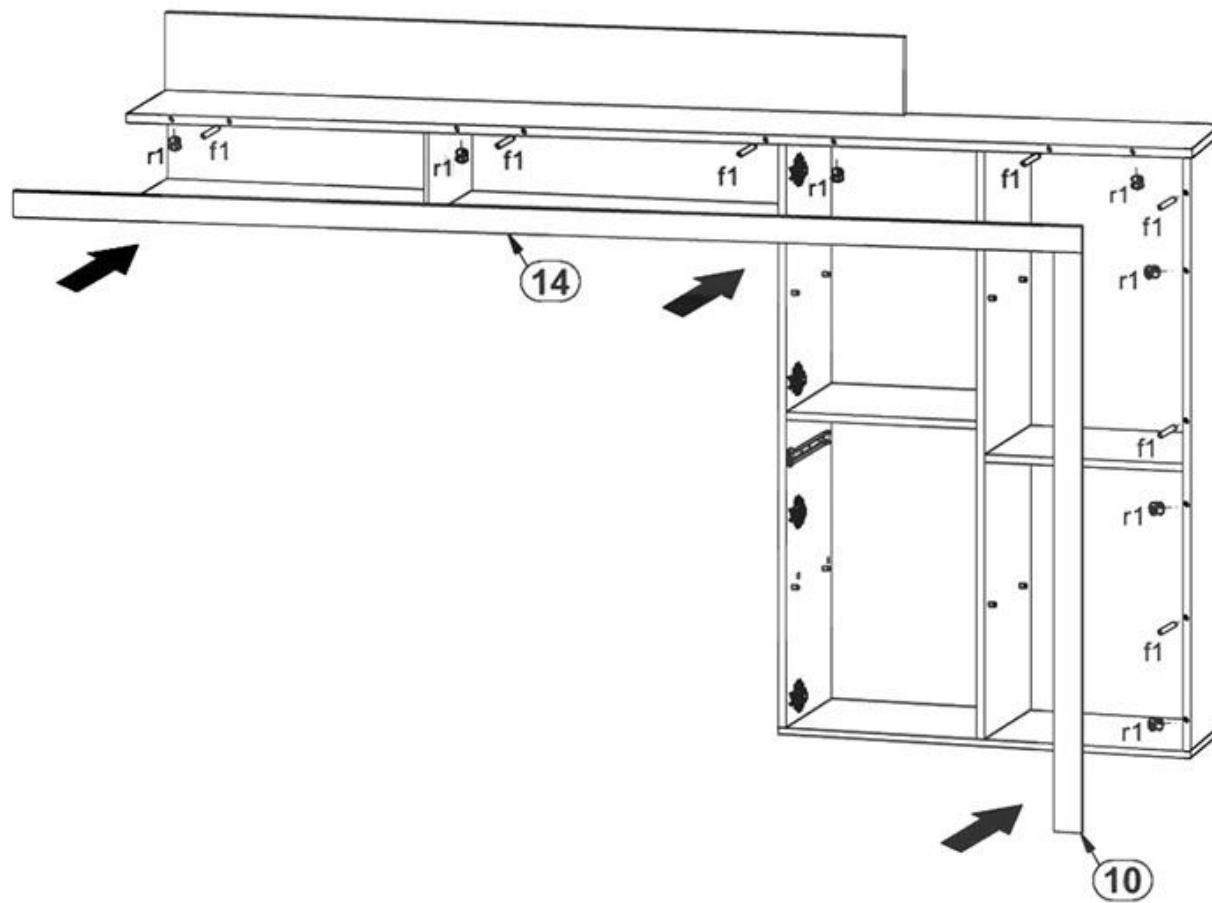
18



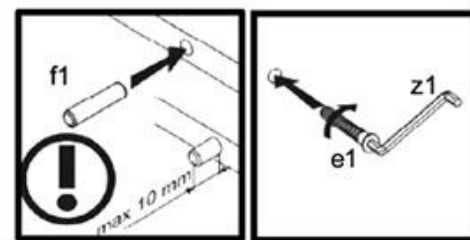
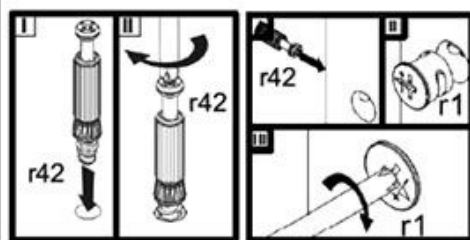
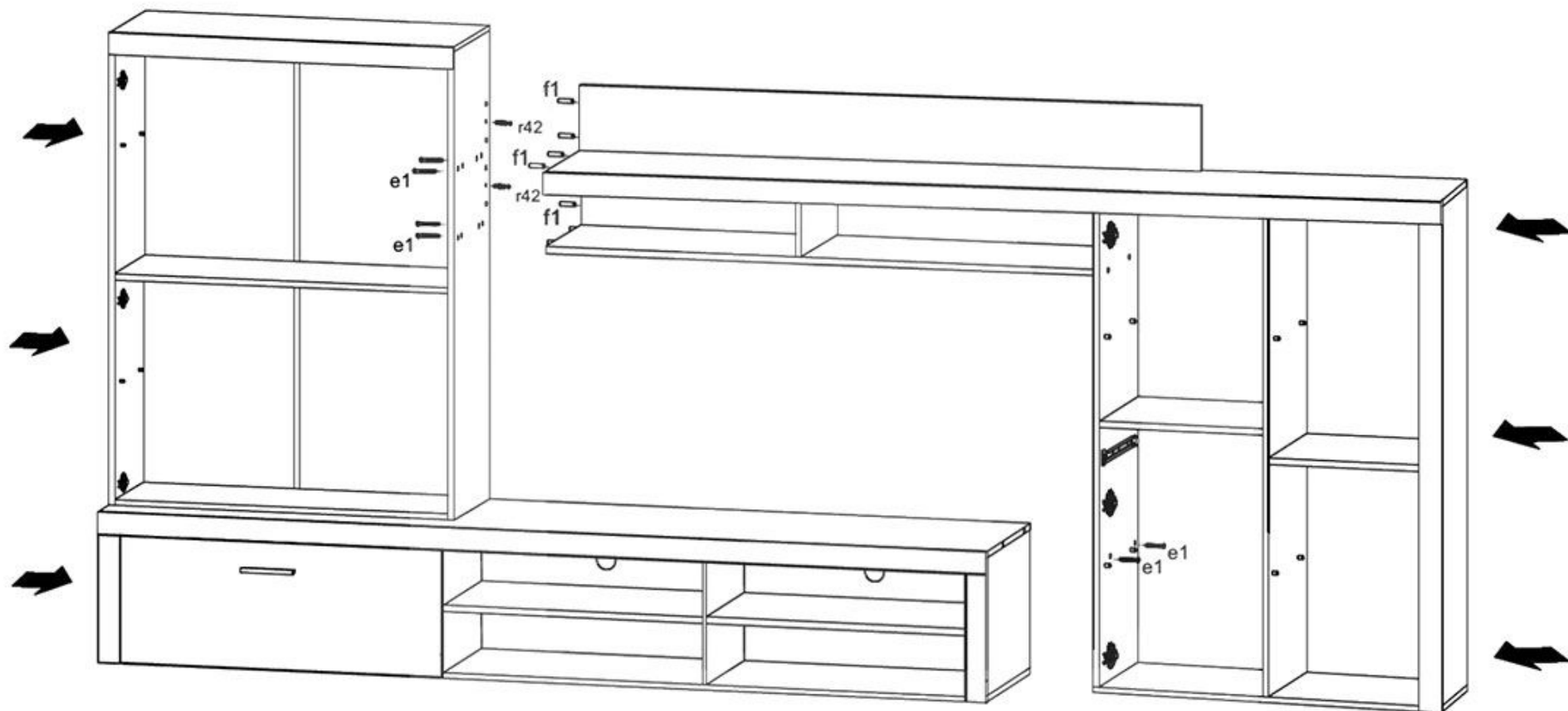
19



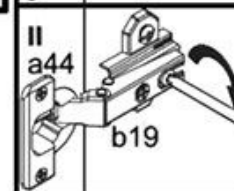
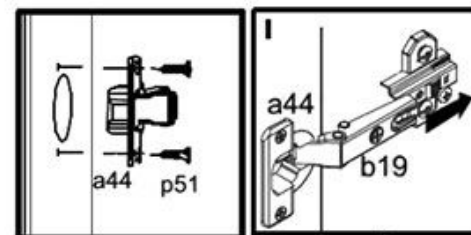
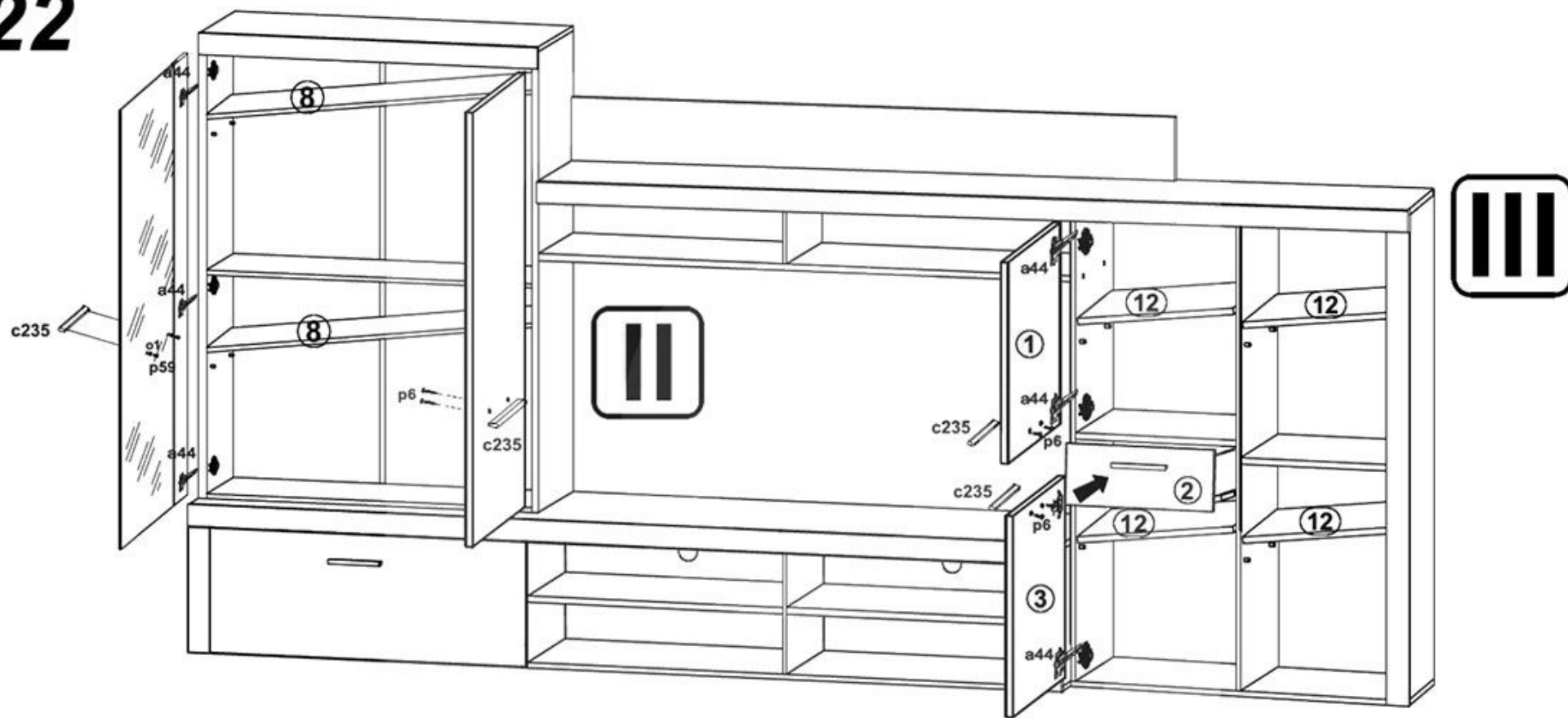
20



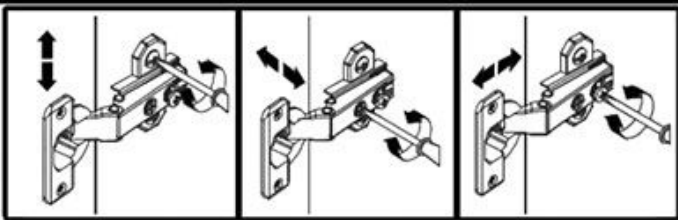
21



22



§10



d1

§21
s1§21
s2